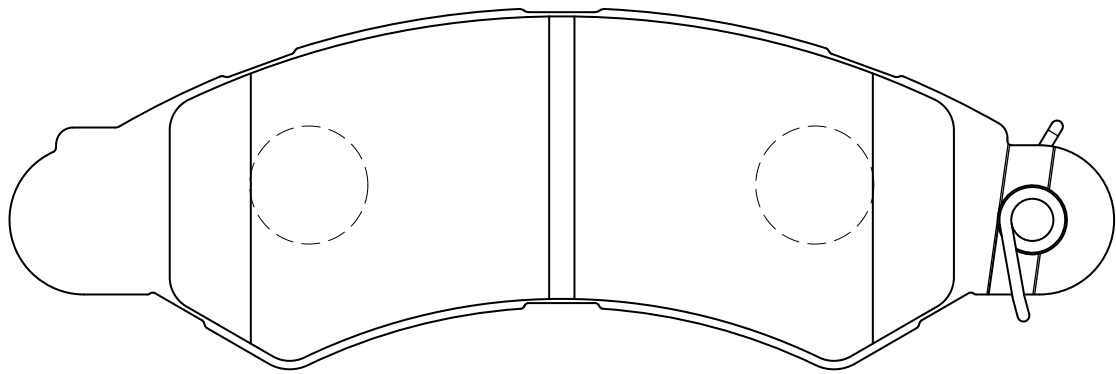
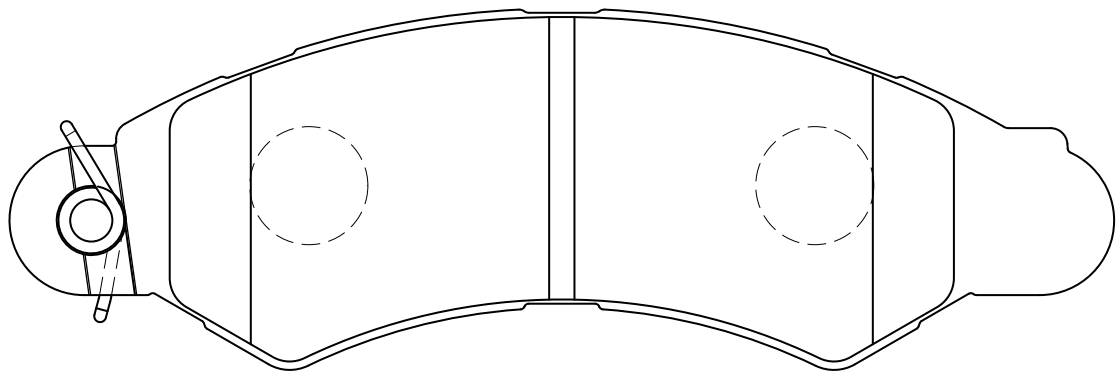


*The* **REVSPEC**  
**PRIMES**

PR-F258



W:131.1 × H:34.5 × T:14.5