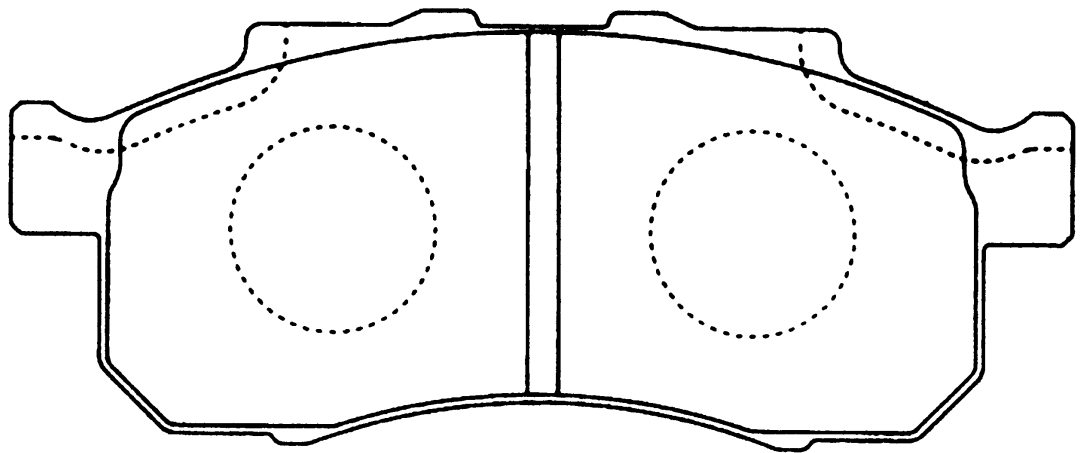
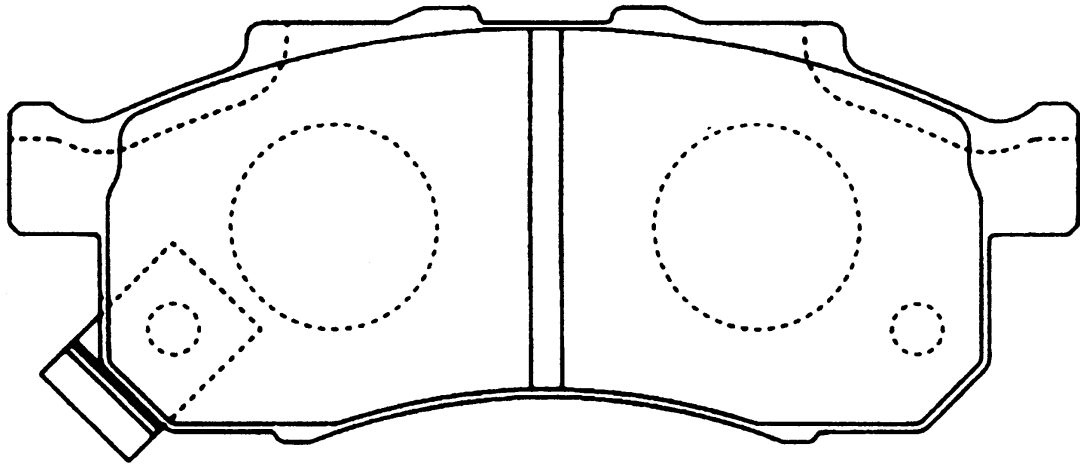


The **REVSPEC**
PRIMES

PR-H119



W:103.8 × H:37 × T:14.5