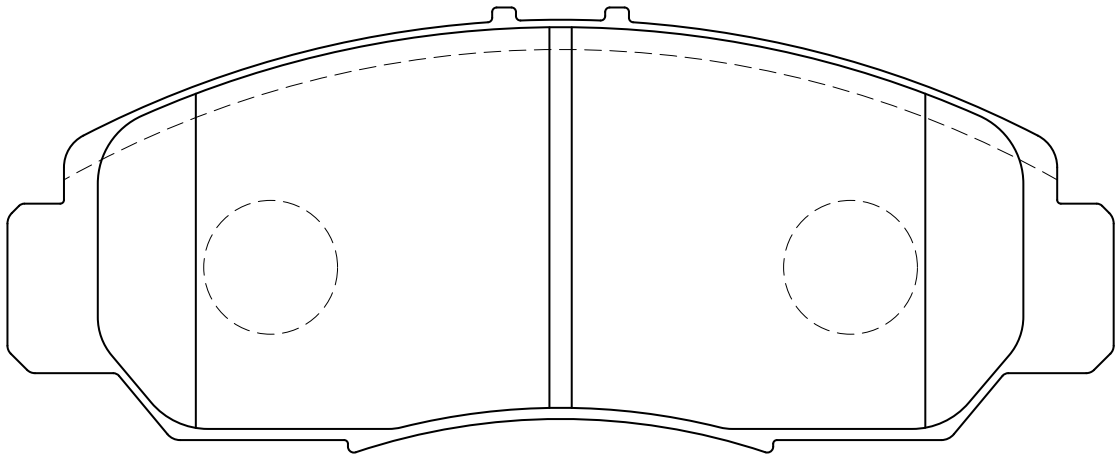
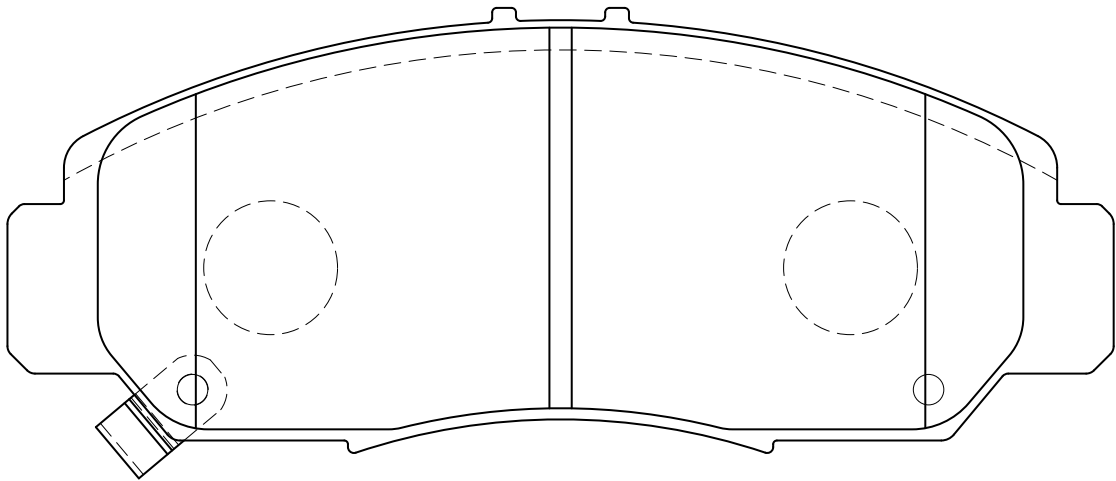


*The* **REVSPEC**  
**PRIMES**

PR-H156



W:148.8 × H:53.5 × T:15.5