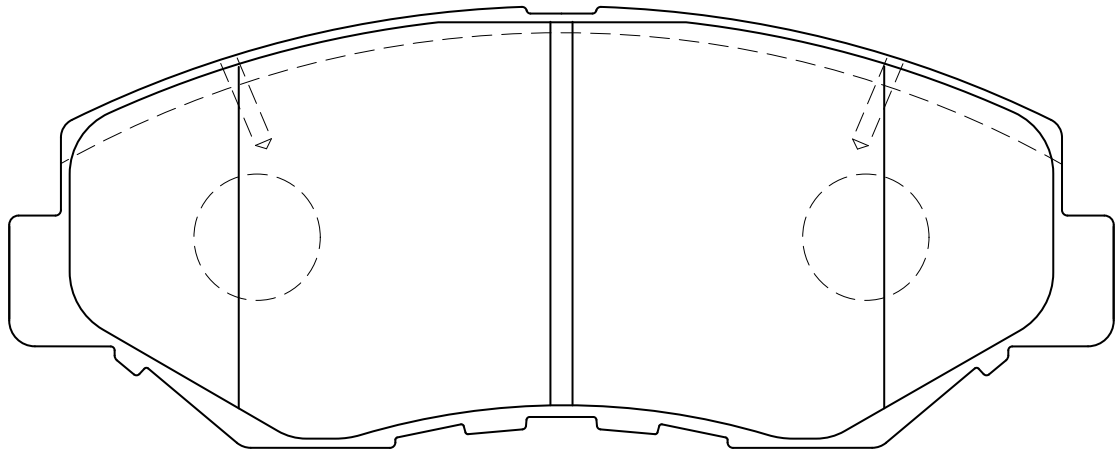
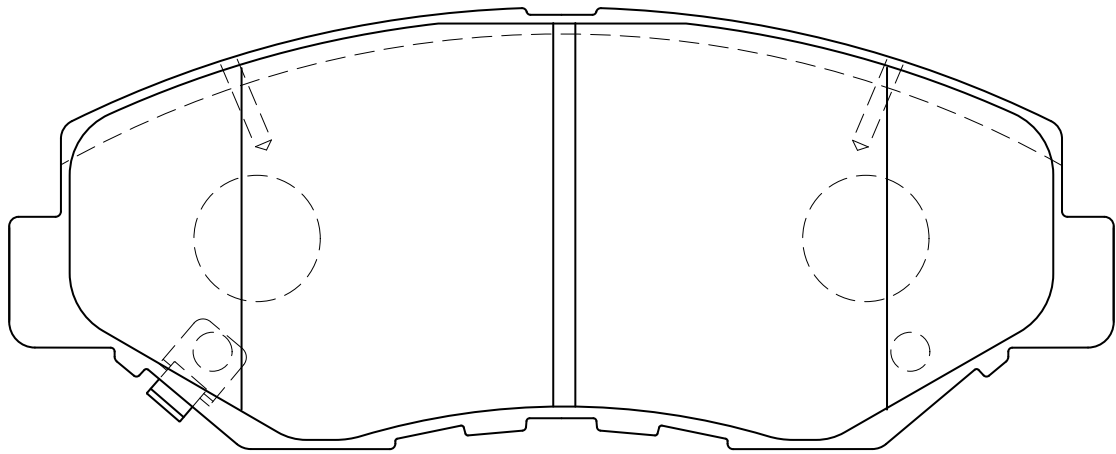


The **REVSPEC**
PRIMES

PR-H169



W:141.8 × H:51.8 × T:16.5