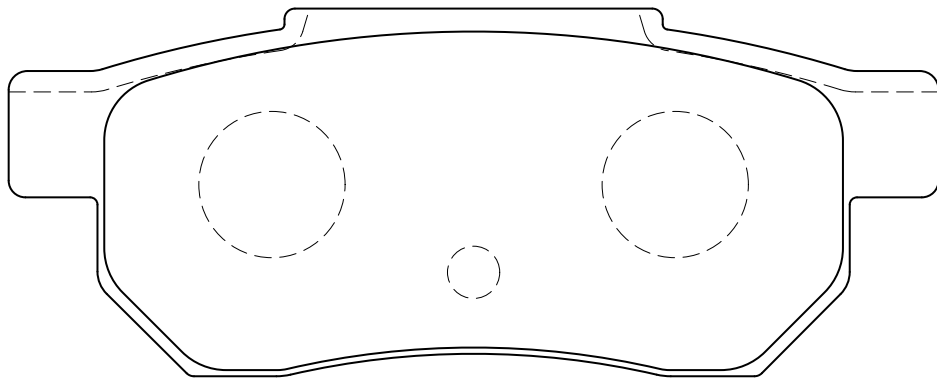
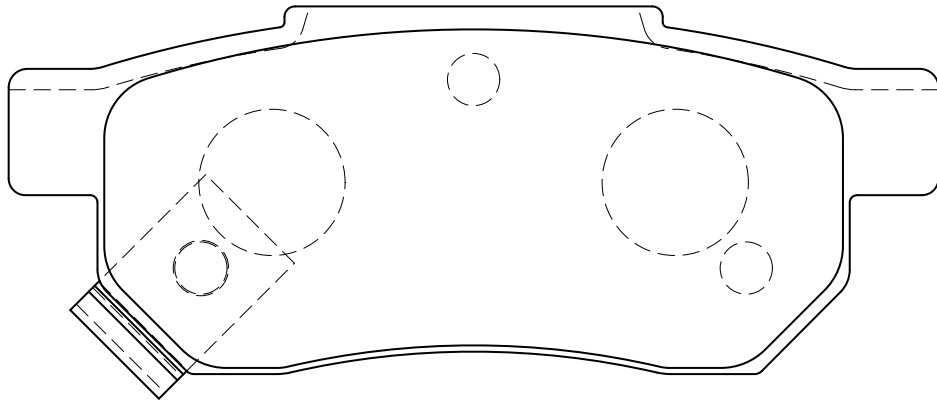


The **REVSPEC**
PRIMES

PR-H528



W:89 × H:33 × T:13