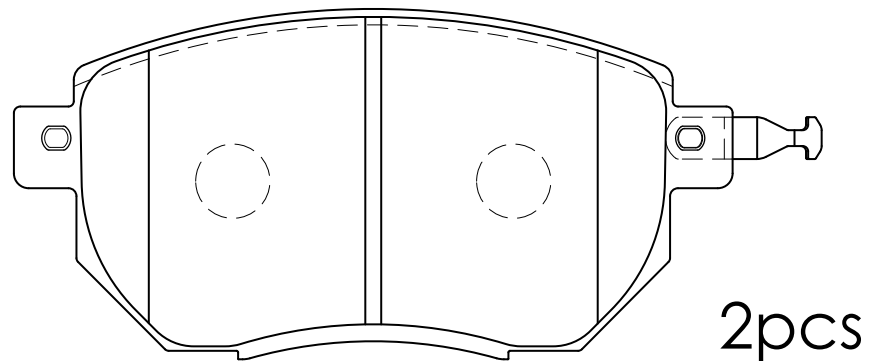
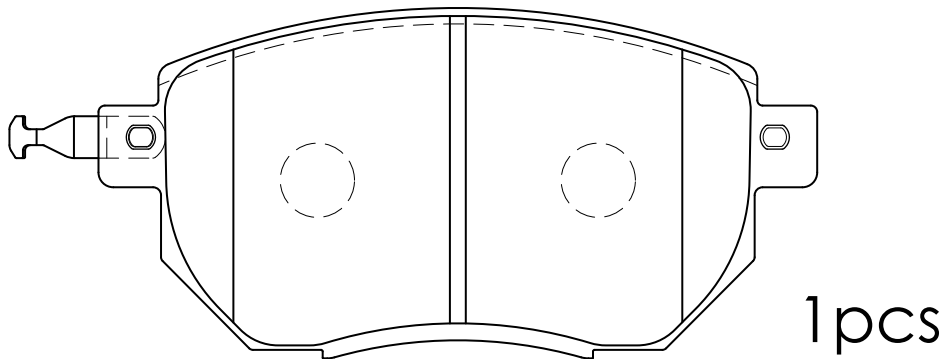
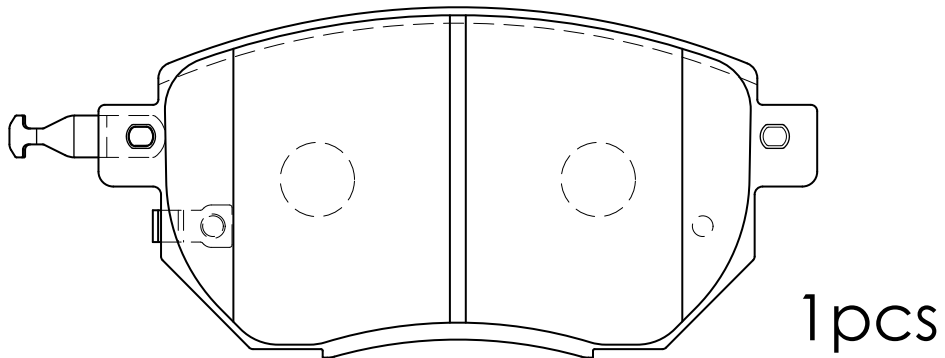


The **REVSPEC**
PRIMES

PR-N196



W:135.6 × H:62.7 × T:15.5