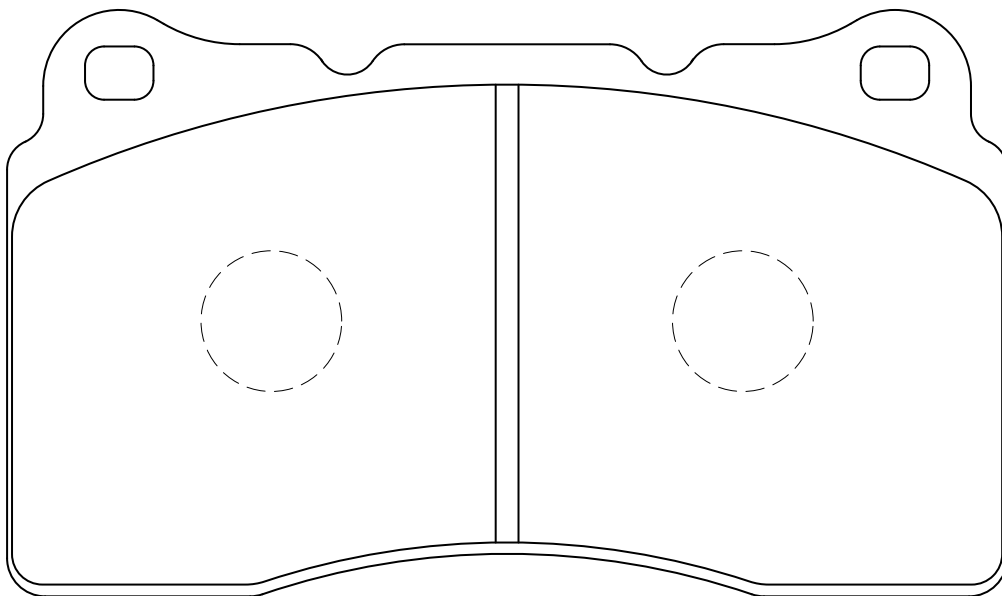


The **REVSPEC**
PRIMES

PR-S105



W:131.5 × H:77.1 × T:14.9