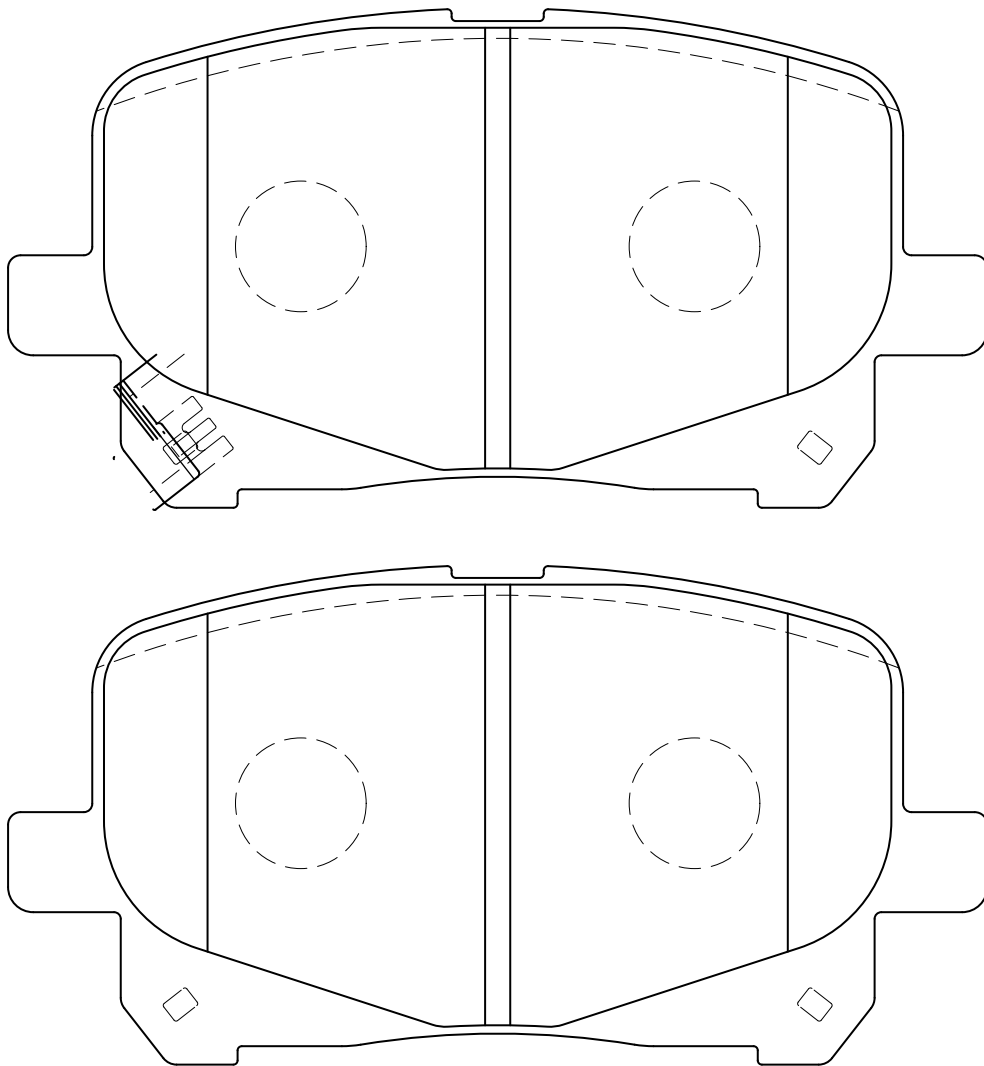


The **REVSPEC**
PRIMES

PR-T115



W:117 × H:54.5 × T:16.5