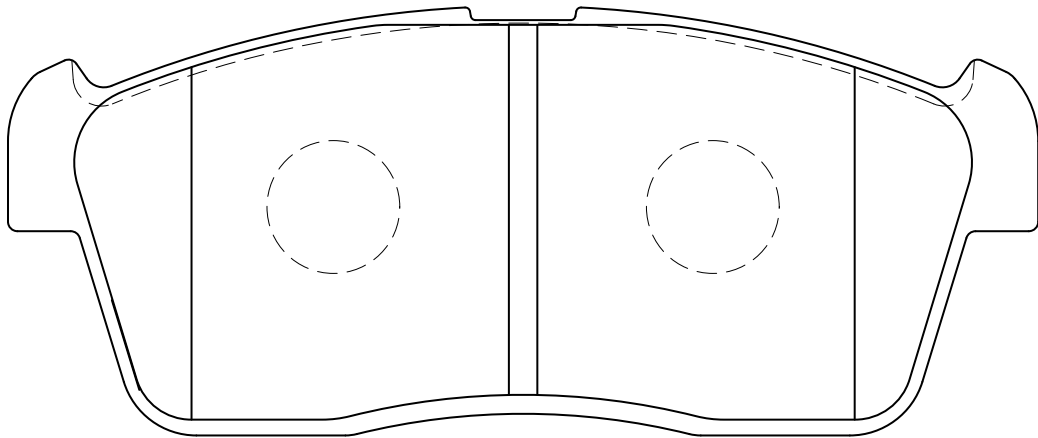
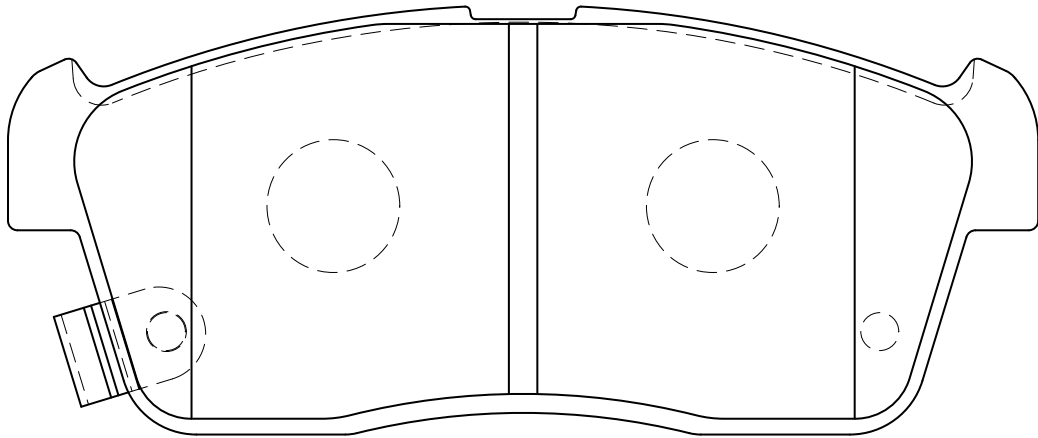


The **REVSPEC**
PRIMES

PR-Z125



W:108.6 × H:41.5 × T:14.5